

**LN Lighting technical data**

# **LED 150W SHOE BOX LIGHT**

**Lighting technical data**

**LED SHOE BOX LIGHT is an alternative light source  
with longer life and uniformed light distribution**

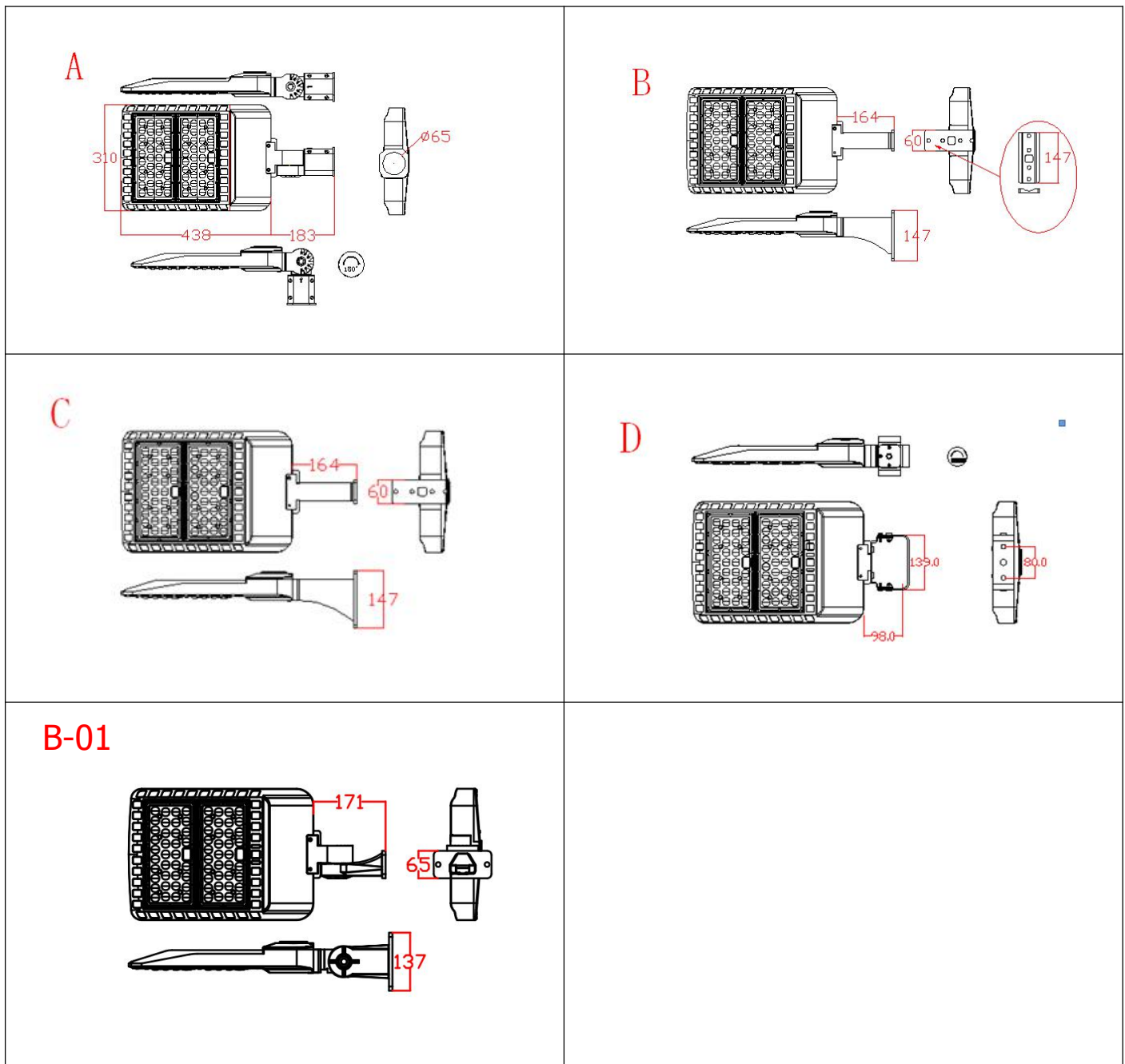


**IP65**

# LED SHOE BOX LIGHT

## mounting bracket

model	Dimension(mm)	Material	coding
SBL-A		ADC12	4.12.27015900
SBL-B		ADC12	4.12.27016000
SBL-C		ADC12	4.12.27016100
SBL-D		Iron	4.12.41016300
SBL-B-01		ADC12	4.12.41018700



## LED SHOE BOX LIGHT



## Line-Up

Model No.	Watts(W)	Light Output(lm)	Dimension(mm)	Light Color(K)	Beam Angle(Degree)
LN-SBL150-U-N-QW-BR-U-III-00	150±10%	19500-10%	438*310*72mm	5000K	80*150

## Technical Specifications

Item	Test Conditions	Min.	Typ.	Max.
Input Voltage(V, rms)	AC	120	220	277
Input Current(mA, rms)	AC(120V)	---	682	---
Input Power(W, rms)	AC(All)	---	150	---
Input Frequency(Hz)	AC	---	50Hz	---
Power Factor(PF)	AC(All)	≥0.9		
Output Voltage(V)	DC	61	63	64
Output Current(A)	DC	1.03*2	1.05*2	1.06*2
Output Power(W)	DC	125.7	132.3	135.7

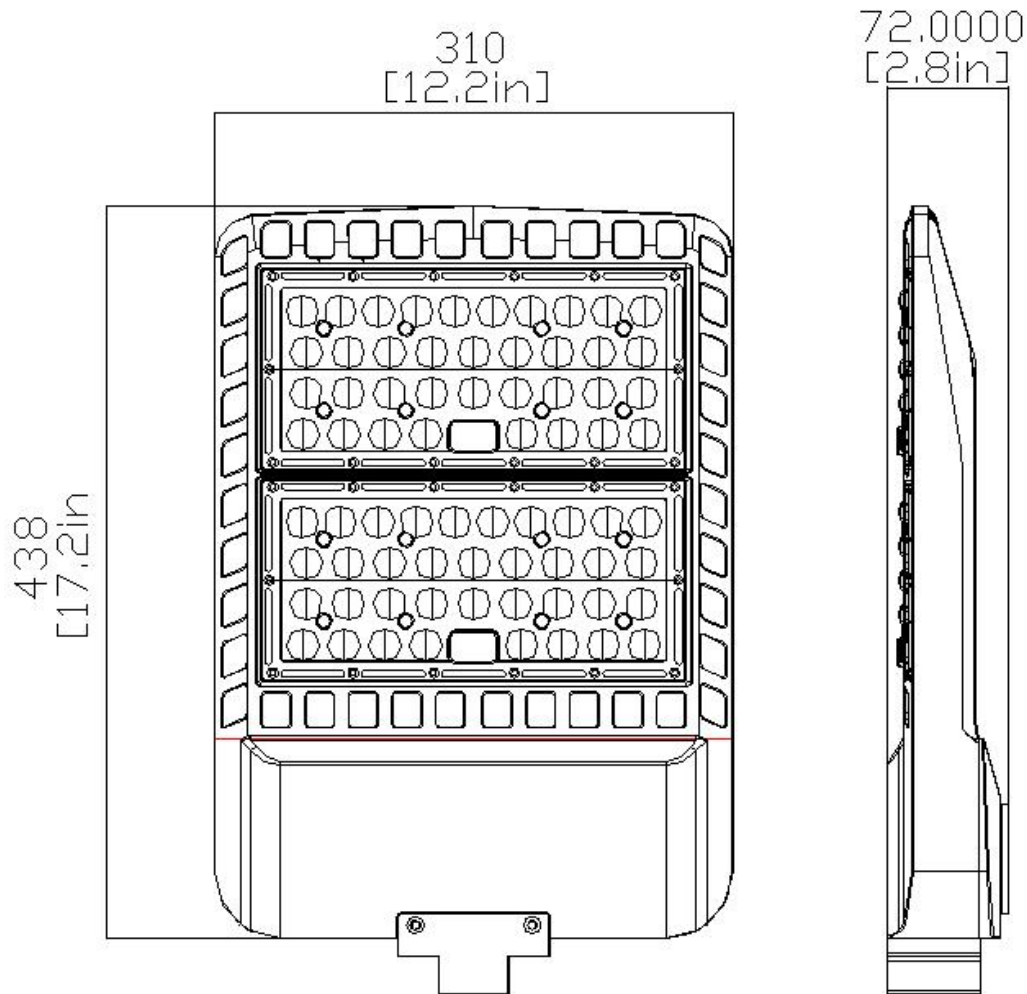
## Environmental Requirements

Specifications	Values
Operational Temperature Range	-40~40℃
Preservation Temperature Range	-40~90℃
Operational Humidity Range	95%Rh or below (@-40~40℃)
Installation Area	Outdoor (Counter,Residential,Commercial,etc)

# LED SHOE BOX LIGHT



Drawing



Material	IP
ADC12	IP65
PC	

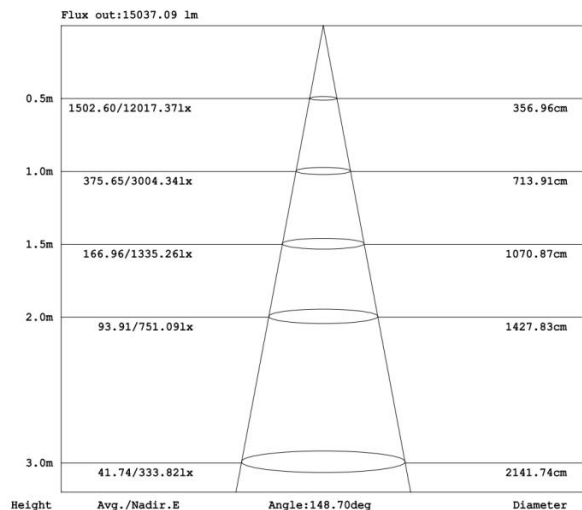
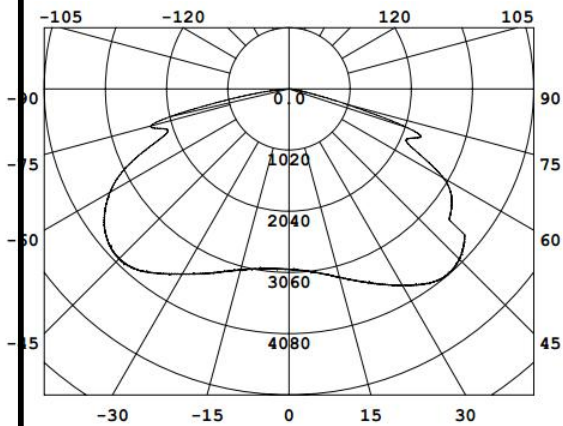
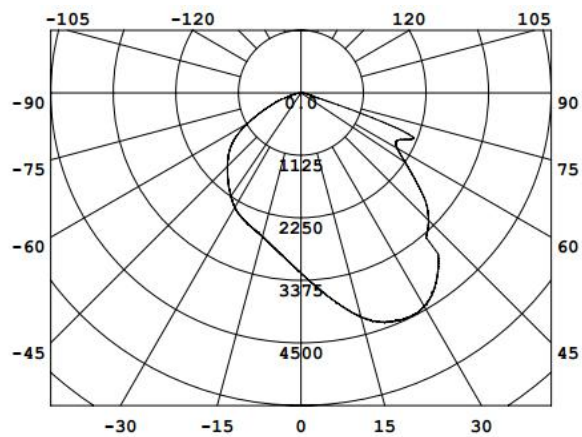
# LED SHOE BOX LIGHT



LN-SBL150-U-N-QW-BR-U-III-00

Category	Specifications	Unit
Watts	150	W
Lumens per Watt(Efficacy)	130	Lm/W
Light Output	19500	lm
Light Color(CCT)	5000	K
Beam Angle	80*150	°(degree)
Color Accuracy(CRI)	70	Ra
Product Weight	3600	G
Rating Life	50000	H
Base	Line interface	
Input Voltage(AC)	220	V

## Luminance Intensity Distribution



LN Lighting technical data

LED SHOE BOX LIGHT

# LED SHOE BOX LIGHT



Product Packaging	Specifications	Unit
Product Dimension	438*310*72	mm
Net Weigh	4.3	Kg
Size of box	<b>655*355*120</b>	mm
Gross Weight	<b>5.86</b>	Kg
Size of Carton	<b>655*355*120</b>	mm
Qty/ Carton	1	PCS
Weight/ Carton	<b>5.86</b>	Kg

## Revision History

MTime	Changed to: VER	Description of Change		
		Item	From	To
2018.2.8	0.01	Size of box		665*350*130
		Gross Weight		4.3
		Size of Carton		665*350*130
		Qty/ Carton		1
		Weight/ Carton		4.3
2018.3.22	0.02	Net Weigh	3.6	4.8
		Gross Weight	4.3	5.5
		Weight/ Carton	4.3	5.5
2018.6.4	0.03	Size of box	665*350*130	<b>672*376*168</b>
		Size of Carton	665*350*130	<b>672*376*168</b>
		Gross Weight	5.5	<b>5.79</b>
		Weight/ Carton	5.5	<b>5.79</b>
2018.8.21	0.04	mounting bracket		SBL-B-01
2018-11-27	0.05	Size of box	<b>672*376*168</b>	<b>655*355*120</b>
		Size of Carton	<b>672*376*168</b>	<b>655*355*120</b>
		Gross Weight	<b>5.79</b>	5.86
		Weight/ Carton	<b>5.79</b>	5.86